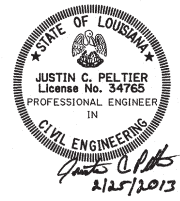
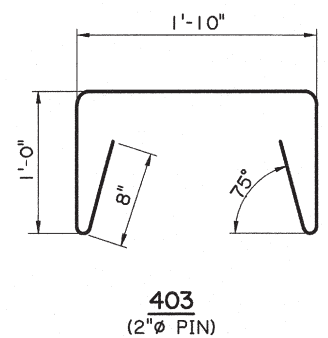
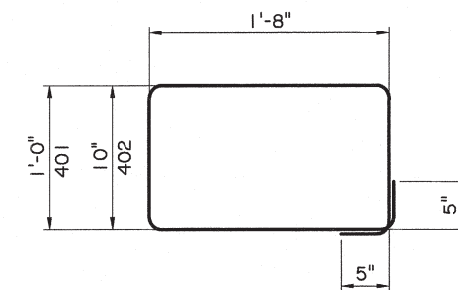
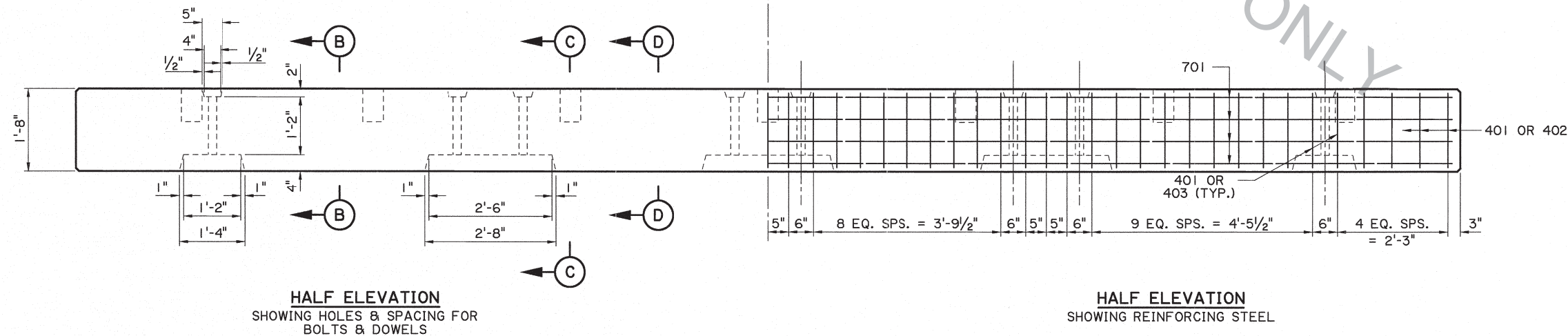
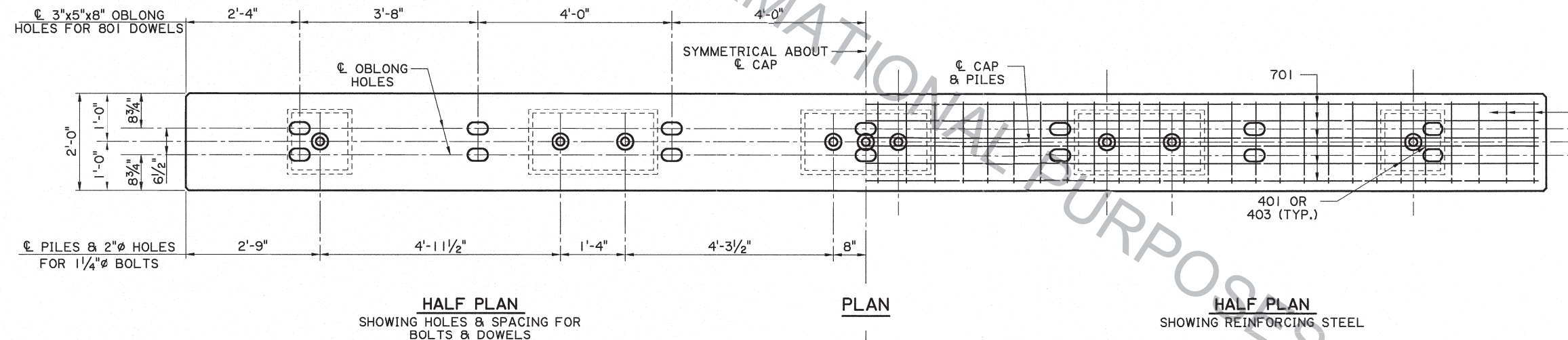


ESTIMATED QUANTITIES (ONE SINGLE ROW CAP)				
BAR	NO.	UNIT LENGTH	TOTAL LENGTH	LOCATION
701	16	27'-8"	442'-8"	LONGIT. IN CAP
TOTAL NO. 7 BARS = 442'-8" = 905 LBS.				
401	57	6'-2"	351'-6"	UPPER STIRRUPS
402	38	5'-10"	221'-8"	LOWER STIRRUPS
403	19	5'-2"	98'-2"	LOWER STIRRUPS ABOVE PILES
404	4	3'-6"	14'-0"	LONGIT. IN CAP BTWN. PILES
TOTAL NO. 4 BARS = 685'-4" = 458 LBS.				
TOTAL DEFORMED REINFORCING STEEL = 1363 LBS.				
TOTAL CLASS "PI" CONCRETE = 3.26 CU. YDS.				



SHEET NUMBER

DESIGNED J. PELTIER
CHECKED M. HEBERT
DATE 03-01-17

REVISION OR CHANGE ORDER DESCRIPTION

PARISH CONTROL SECTION STATE PROJECT

K.M.B. BY

SERIES # 13 OF 16

UPDATED FOR 2016 SPECIFICATIONS

ANCHOR BENT DETAILS

BD.2.B.1.O.13 PRECAST PANEL DETOUR BRIDGE

BRIDGE & STRUCTURAL DESIGN